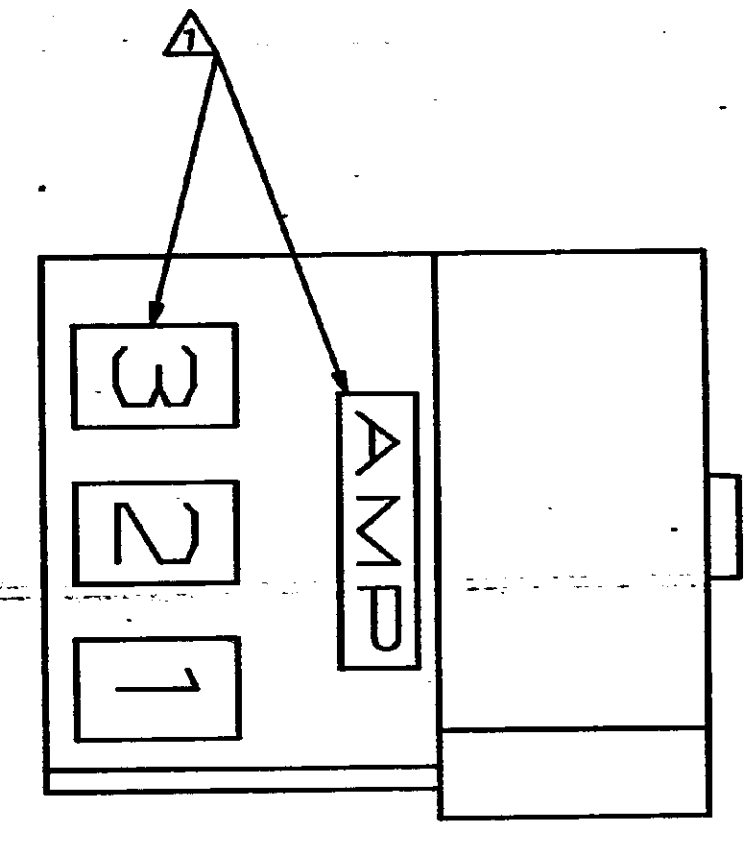
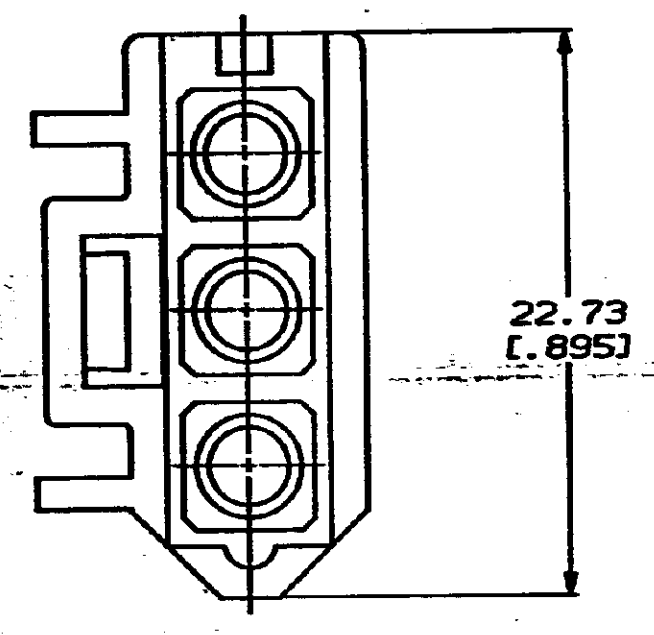
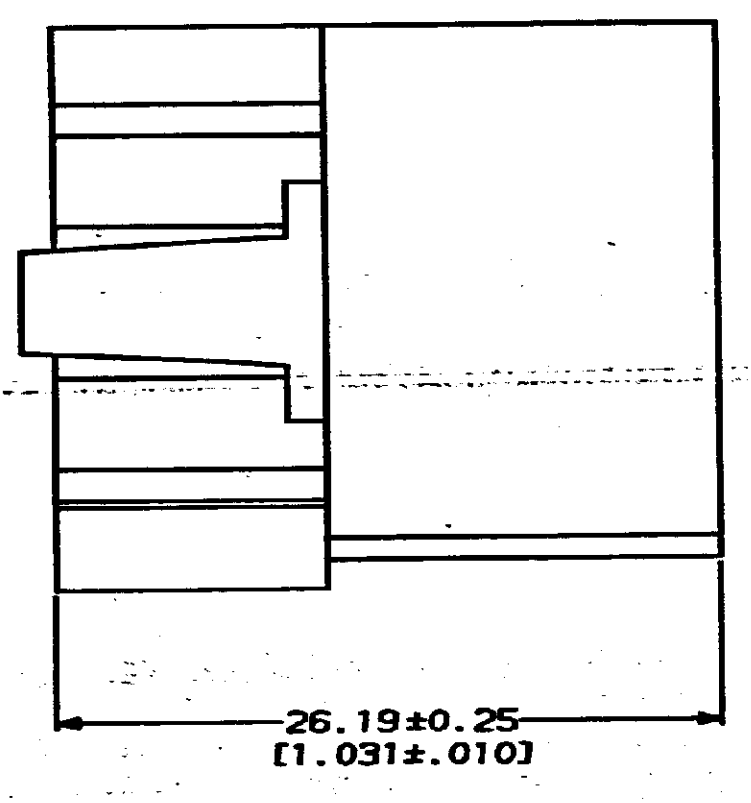
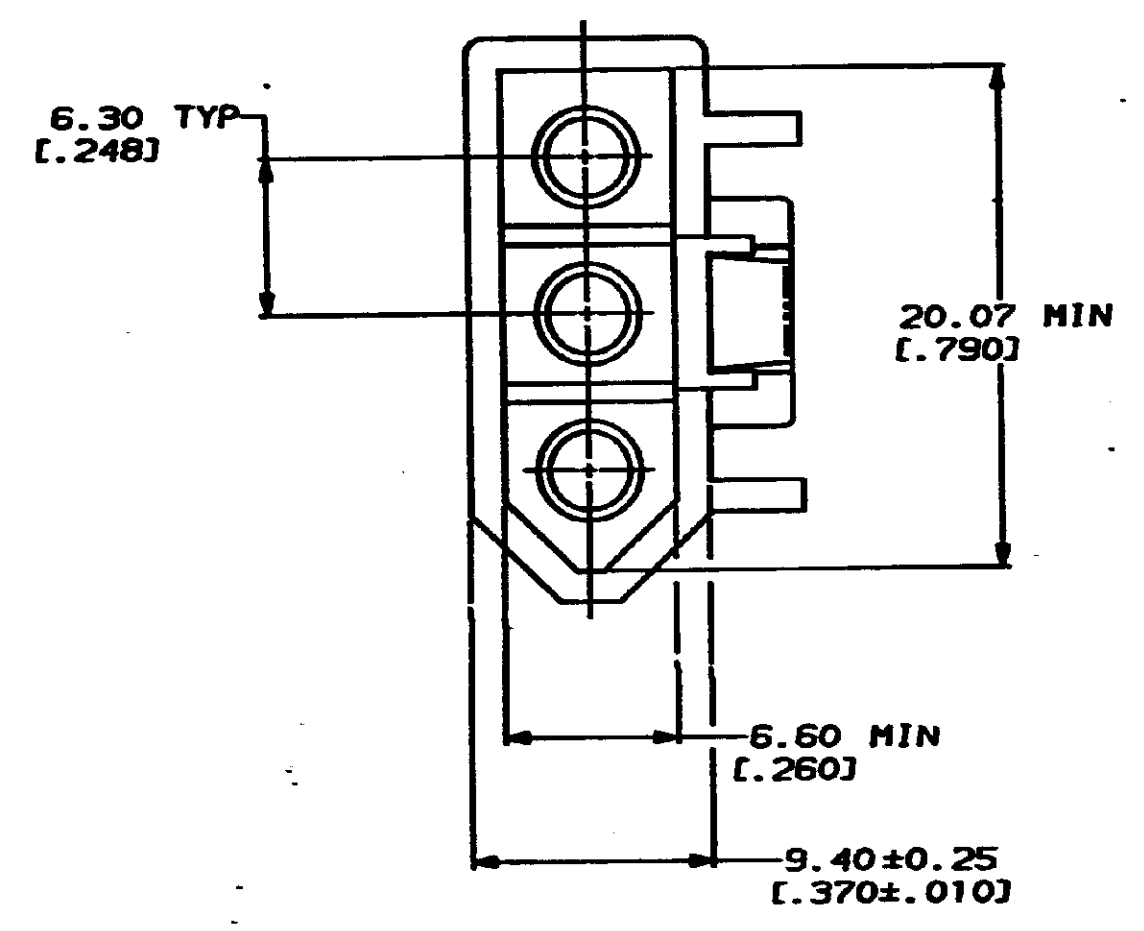
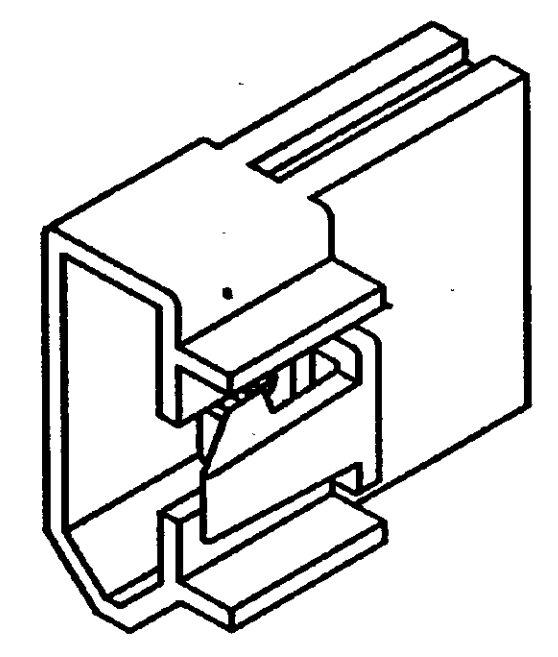


8  
DRAWING MADE IN THIRD ANGLE PROJECTION  
THIS DRAWING IS UNPUBLISHED. RELEASED FOR PUBLICATION  
© COPYRIGHT 19 BY AMP INCORPORATED. ALL INTERNATIONAL RIGHTS RESERVED.

REVISE		ZONE		LTR		DESCRIPTION		DATE	APPD
CM	53						REVISED PER ECN CN-3424	6-27-91	MS



△ AMP LOGO AND CIRCUIT NUMBERS LOCATED IN THIS AREA.  
2. DIMENSIONS IN BRACKETS ARE IN INCHES.



3-DIMENSIONAL MODEL NTS

**METRIC**

770783-1		PART NO	
DO NOT SCALE PRINT. UNLESS SPECIFIED DIMENSIONS IN mm (INCHES) TOLERANCES ON + 2 PLG DEC ± 3 PLG DEC ± 0.13 (.005) ANGLES ± -		AMP Incorporated Harrisburg, PA 17105-3508	
DR K. WHITAKER 11-20-90	APPD R. SWINE 11-20-90	NAME PLUG, POSITIVE LOCK, 3 CIRCUIT, COMMERCIAL PIN AND SOCKET	
MATERIAL NYLON, UL 94V-2 NATURAL	PRODUCT SPEC -	SIZE D	CASE CODE 00779
FINISH -	APPLICATION SPEC -	SCALE 4:1	DRAWING NO 770783
WEIGHT -			SHEET 1 OF 1

CUSTOMER DRAWING